

### Superior Air Performance

#### Standard Construction

##### Frame

4" x .081"(102 x 2.1) Extruded Aluminum  
(6063-T5)

##### Blades

Z Style Blades, .081"(2.1) Extruded Aluminum  
(6063-T5) at a 45° blade angle with  
approximately 4"(102) blade spacing

##### Finishes

MILL

##### Penthouse Size Limits

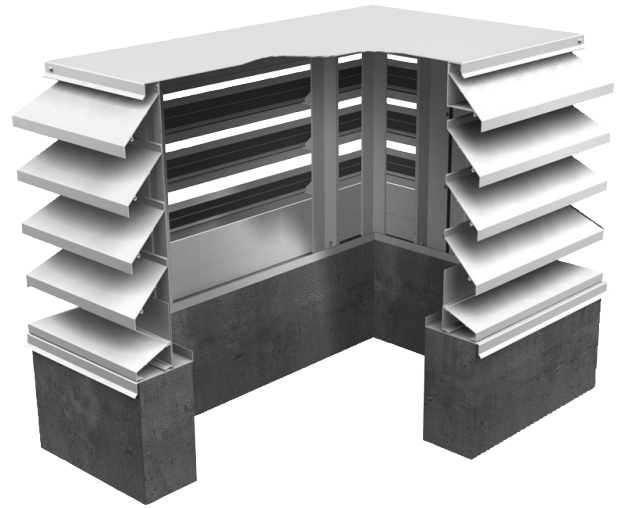
MAX. INSIDE CURB DIMENSION (LENGTH OR  
WIDTH) 108"[2743]

MAX. HEIGHT ABOVE CURB 70.72"[1796]

MIN. INSIDE CURB DIMENSION (LENGTH OR  
WIDTH) 16"[406]

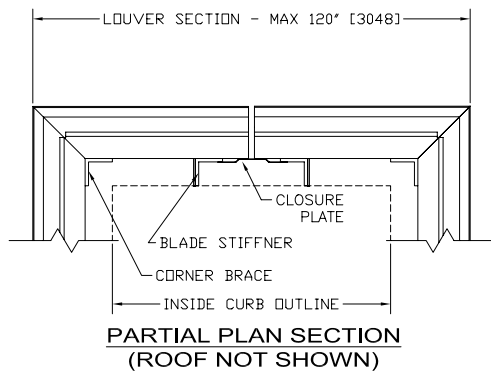
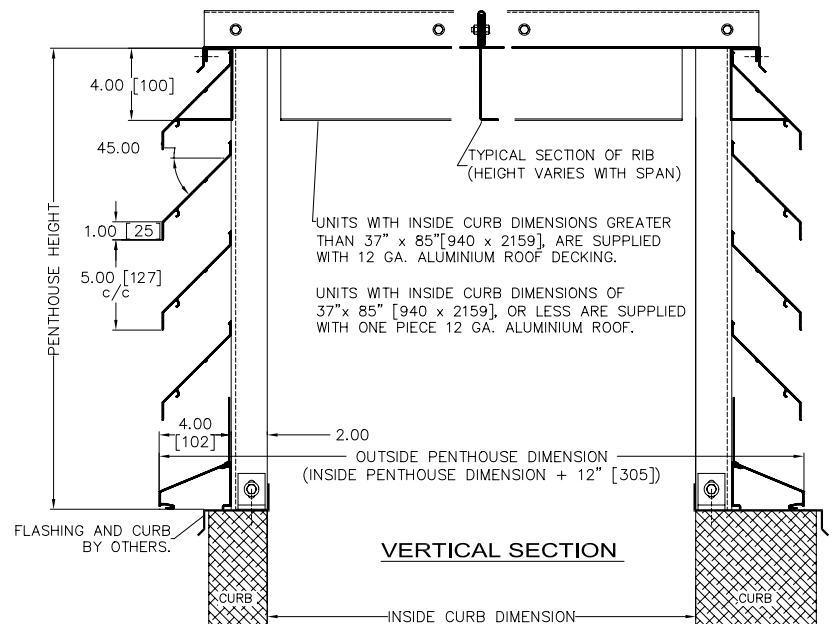
MIN. HEIGHT ABOVE CURB 15.72"[399]

PENTHOUSE HEIGHT = MULTIPLES OF 5"[127] +  
15.72"[399]



#### Available Options

- Extended Sill (loose) 14 GA. Aluminum
- Variety of Bird & Insect Screens
- Wide variety of Finishes including:  
Baked Enamel, Duranar & Duranar XL,  
Clear & Colour Anodize
- Roof Curb
- \* Select from PRICE Colour Chart or provide  
Colour sample to match



ALL-WELDED CONSTRUCTION



| <b>PROJECT</b>      |     |                       | <b>CUSTOMER</b> |        |         |   |
|---------------------|-----|-----------------------|-----------------|--------|---------|---|
| <b>ARCHITECT</b>    |     |                       | <b>ENGINEER</b> |        |         |   |
| <b>SPEC. SYMBOL</b> |     |                       | <b>DATE</b>     |        |         |   |
| QTY                 | TAG | INSIDE CURB DIMENSION |                 |        | OPTIONS | UNITS: <input type="checkbox"/> IMPERIAL<br><input type="checkbox"/> METRIC |
|                     |     | LENGTH                | WIDTH           | HEIGHT |         |   |
|                     |     |                       |                 |        |         |   |
|                     |     |                       |                 |        |         |   |
|                     |     |                       |                 |        |         |   |
|                     |     |                       |                 |        |         |   |